



US00D592670S

(12) **United States Design Patent**  
**Lee**

(10) **Patent No.:** **US D592,670 S**

(45) **Date of Patent:** **\*\* May 19, 2009**

(54) **FACE OF A TELEPHONE MEMORY STICK**

6,561,421 B1 5/2003 Yu

(Continued)

(75) Inventor: **Randy Lee**, Mountain View, CA (US)

**OTHER PUBLICATIONS**

U.S. Appl. No. 29/285,199, filed Mar. 23, 2007, Applicant/Inventor: Randy Lee.

(Continued)

(73) Assignee: **Sparktech Corporation**

(\*\*) Term: **14 Years**

*Primary Examiner*—Susan Moon Lee

(21) Appl. No.: **29/285,201**

(74) *Attorney, Agent, or Firm*—David Lewis

(22) Filed: **Mar. 23, 2007**

(57) **CLAIM**

(51) **LOC (9) Cl.** ..... **14-02**

(52) **U.S. Cl.** ..... **D14/480.1**; D14/435.1

(58) **Field of Classification Search** ..... D14/435,  
D14/356, 242, 436, 433, 474, 240, 496, 385,  
D14/358, 480.1, 480.7; 360/97.01, 685,  
360/686, 752, 737, 732, 784, 803; 439/135,  
439/144, 139–141, 147, 136, 638, 518, 131;  
365/51, 63, 131; 710/52, 300, 313; 711/115,  
711/103, 154, 161–162; 70/58; 323/210;  
713/186, 1; 382/124; 235/492; D13/147;  
455/557, 550.1, 95, 575.8

The ornamental design for a face of a telephone memory stick, as shown and described.

**DESCRIPTION**

The telephone memory stick may be used for transferring information between a mobile phone and another device and/or storing information. In other words, the telephone memory stick may be used for downloading and uploading multiple type of information from a mobile phone, storing the information downloaded, downloading and uploading information from a computer.

See application file for complete search history.

FIG. 1 is a perspective view of a face of a telephone memory stick;

(56) **References Cited**

**U.S. PATENT DOCUMENTS**

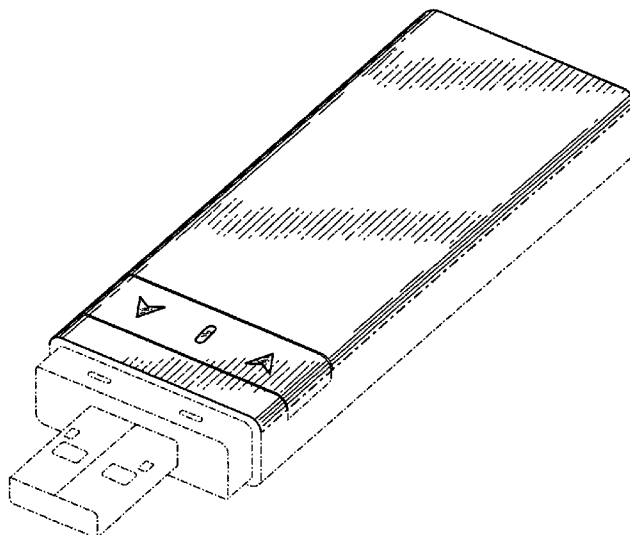
D268,931 S *	5/1983	Ellis et al. ....	D14/433
D296,440 S *	6/1988	Smith et al. ....	D14/432
D357,684 S *	4/1995	Moreland ....	D14/240
D383,732 S *	9/1997	Haley et al. ....	D14/435
D398,605 S *	9/1998	Murray et al. ....	D14/137
D417,661 S *	12/1999	Renk ....	D14/356
D427,193 S *	6/2000	Fedele ....	D14/348
D444,788 S	7/2001	Do et al.	
D445,422 S *	7/2001	Hsin ....	D14/385
D449,615 S	10/2001	Lloyd	
D462,689 S	9/2002	Moran	
D463,426 S	9/2002	Cheng	
6,456,500 B1	9/2002	Chen	
6,522,534 B1	2/2003	Wu	
D471,516 S	3/2003	Tsay et al.	

FIG. 2 is a top plan view of the face of a telephone memory stick of FIG. 1; and,

FIG. 3 is a right side elevational view of FIG. 1, the left side elevational view is a mirror image of the right side.

Two types of broken lines appear in the figures. The broken lines immediately adjacent the shaded areas represent the bounds of the claimed design while all other broken lines are directed to environment and are for illustrative purposes only; the broken lines form no part of the claimed design. With the exception the left side elevational view, which was described in the above figure descriptions, the sides that are not shown are not claimed.

**1 Claim, 2 Drawing Sheets**



# US D592,670 S

Page 2

## U.S. PATENT DOCUMENTS

6,618,243 B1 9/2003 Tirosh  
6,650,534 B2 11/2003 Tree  
6,671,808 B1 12/2003 Abbott et al.  
6,763,410 B2\* 7/2004 Yu ..... 710/74  
D494,969 S 8/2004 Lin  
6,804,749 B2\* 10/2004 Chien et al. .... 711/115  
D500,485 S \* 1/2005 Deguchi ..... D14/480.1  
6,854,984 B1\* 2/2005 Lee et al. .... 439/79  
6,891,721 B2\* 5/2005 Huang ..... 361/685  
6,930,987 B1\* 8/2005 Fukuda et al. .... 370/328  
6,963,468 B2\* 11/2005 Chang et al. .... 360/97.01  
D513,005 S \* 12/2005 Kobayakawa ..... D14/480.1  
7,004,780 B1\* 2/2006 Wang ..... 439/353  
7,070,425 B2\* 7/2006 Regen et al. .... 439/131  
D527,384 S 8/2006 Lee et al.  
D527,733 S 9/2006 Lee et al.  
D527,734 S 9/2006 Lee et al.  
D532,423 S 11/2006 Lee et al.  
2003/0005337 A1 1/2003 Poo et al.  
2003/0043111 A1 3/2003 Huang

2003/0063196 A1 4/2003 Palatov  
2003/0090472 A1 5/2003 Im  
2003/0137859 A1 7/2003 Sugawara  
2003/0167376 A1 9/2003 Koh  
2003/0183698 A1 10/2003 Wu  
2003/0233519 A1 12/2003 Chien et al.  
2004/0019742 A1\* 1/2004 Wei et al. .... 711/115  
2004/0038592 A1 2/2004 Yang  
2004/0066726 A1\* 4/2004 Chiang ..... 369/75.1  
2004/0083320 A1\* 4/2004 Yu ..... 710/62  
2004/0087213 A1\* 5/2004 Kao ..... 439/638  
2004/0125522 A1\* 7/2004 Chiu et al. .... 361/56  
2004/0233645 A1\* 11/2004 Chen ..... 361/737  
2004/0233646 A1\* 11/2004 Yen ..... 361/752  
2005/0181645 A1\* 8/2005 Ni et al. .... 439/79

## OTHER PUBLICATIONS

U.S. Appl. No. 29/285,200, filed Mar. 23, 2007, Applicant/Inventor:  
Randy Lee.

\* cited by examiner

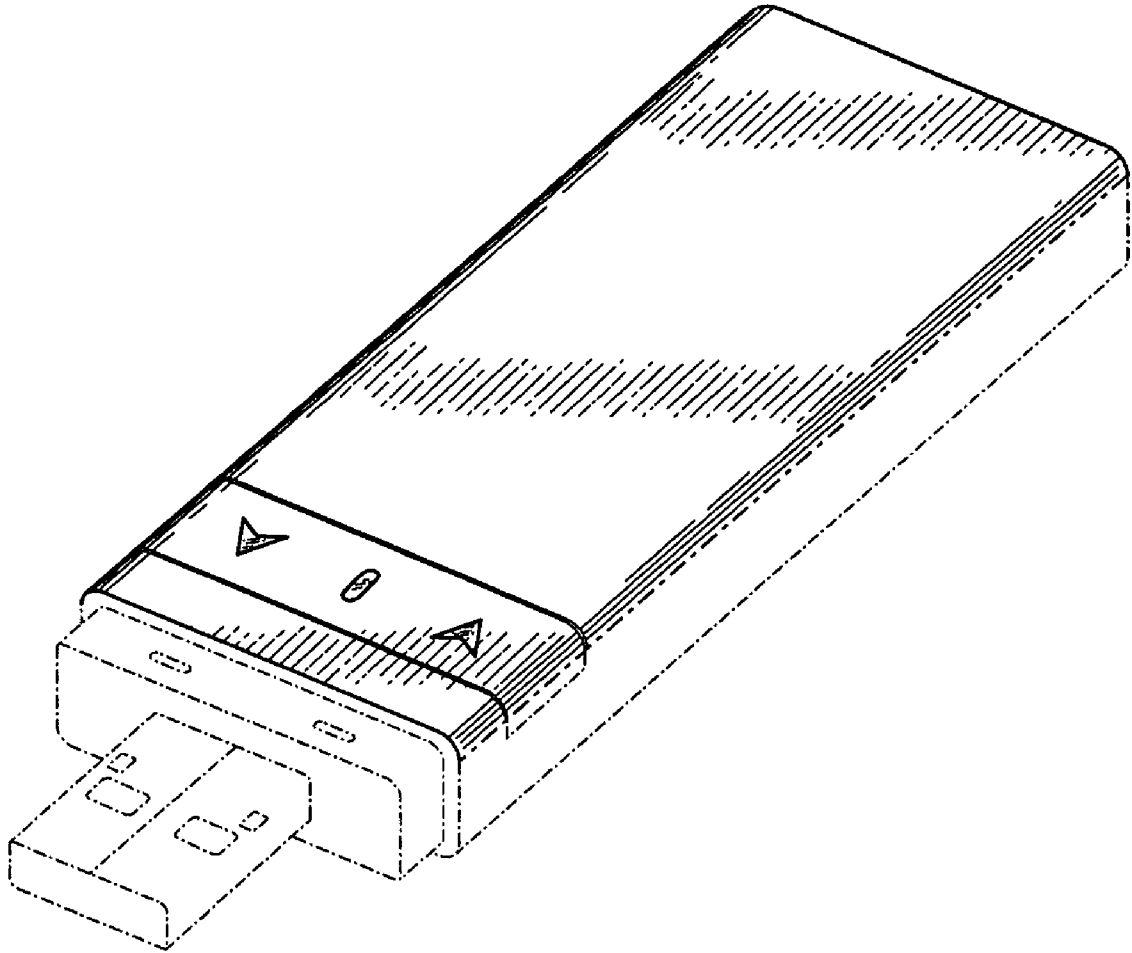


FIG. 1

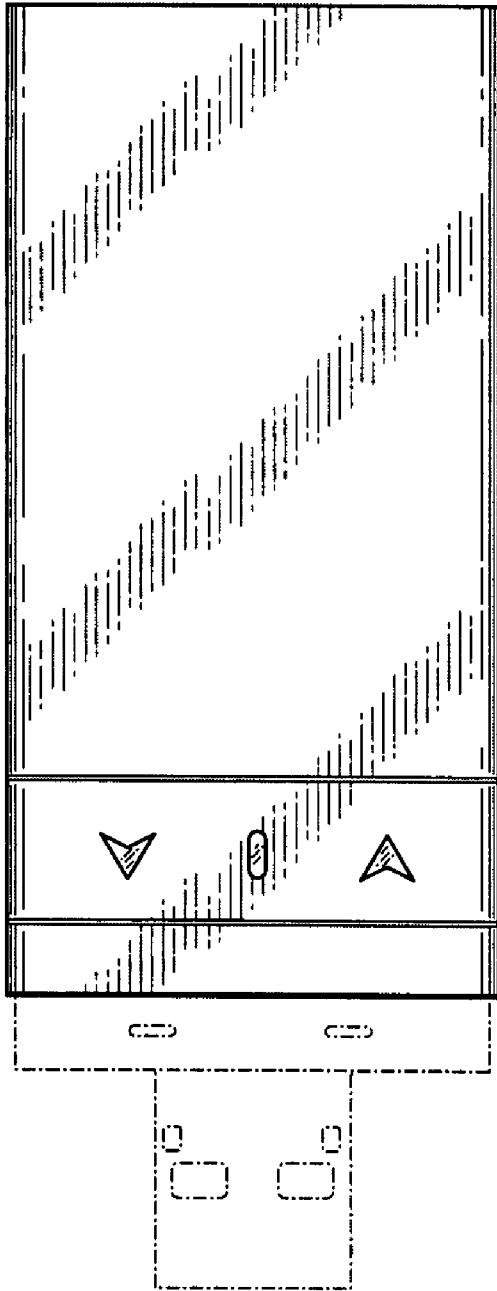


FIG. 2

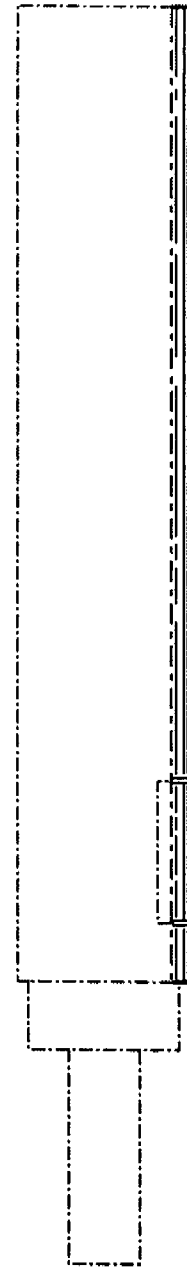


FIG. 3